

Scalable Cache Coherent Systems

- **Scalable distributed shared memory machines Assumptions:**
 - Processor-Cache-Memory nodes connected by scalable network.
 - Distributed shared physical address space.
 - Communication assist (CA) must interpret network transactions, forming shared address space. **Hardware-supported SAS**
- For such a system with distributed shared physical address space:
 - A cache miss must be satisfied transparently from local or remote memory depending on address.
 - By its normal operation, cache replicates data locally resulting in a potential cache coherence problem between local and remote copies of data.
 - Thus: A coherency solution must be in place for correct operation.
- Standard bus-snooping protocols studied earlier do not apply for lack of a bus or a broadcast medium to snoop on.
- For this type of system to be scalable, in addition to network latency and bandwidth scalability, the cache coherence protocol or solution used must also scale as well.

NUMA
SAS

Functionality Expected In A Cache Coherent System

- Provide a set of states, a state transition diagram, and actions representing the cache coherence protocol used.
- Manage coherence protocol:
 - (0) Determine when to invoke the coherence protocol
 - (a) Find source of information about state of cache line in other caches
 - Whether need to communicate with other cached copies
 - (b) Find out the location or locations of other (shared) copies if any.
 - (c) Communicate with those copies (invalidate/update). ← **Action**
- (0) is done the same way on all cache coherent systems:
 - State of the local cache line is maintained in the cache.
 - Protocol is invoked if an “access fault” occurs on the cache block or line.
- Different approaches are distinguished by (a) to (c).

Bus-Based Coherence

- All of (a), (b), (c) done through broadcast on the bus:

i.e Processor
that intends
to modify
a cache block

- Faulting processor sends out a “search”. **Over bus**
- Others respond to the search probe and take necessary action. **e.g. invalidate their local copies**

- This approach could be done in a scalable network too:

- Broadcast to all processors, and let them respond over network.

in general

- Conceptually simple, but broadcast doesn't scale with p :
 - On a scalable network (e.g MINs), every fault may lead to at least p network transactions.

p = Number of processors

- (a) Find source of information about state of cache line in other caches
 - Whether need to communicate with other cached copies
- (b) Find out the location or locations of other (shared) copies if any.
- (c) Communicate with those copies (invalidate/update).

EECC756 - Shaaban

Scalable Cache Coherence

- A scalable cache coherence approach may have similar cache line states and state transition diagrams as in bus-based coherence protocols.
- However, different additional mechanisms other than broadcasting must be devised to manage the coherence protocol. i.e to meet coherence functionality requirements a-c

Three possible approaches:

- Approach #1: Hierarchical Snooping.
- Approach #2: Directory-based cache coherence.
- Approach #3: A combination of the above two approaches.

Approach #1: Hierarchical Snooping

- **Extend snooping approach: A hierarchy of broadcast media:**
 - Tree of buses or rings (KSR-1).
 - Processors are in the bus- or ring-based multiprocessors at the leaves.
 - Parents and children connected by two-way snooping interfaces:
 - Snoop both buses and propagate relevant transactions.
 - Main memory may be centralized at root or distributed among leaves.
- **Issues (a) - (c) handled similarly to bus, but not full broadcast.**
 - Faulting processor sends out “search” bus transaction on its bus.
 - Propagates up and down hierarchy based on snoop results.
- **Problems:**
 - High latency: multiple levels, and snoop/lookup at every level.
 - Bandwidth bottleneck at root.
- **This approach has, for the most part, been abandoned.**

Does not scale well

- (a) Find source of information about state of cache line in other caches
 - Whether need to communicate with other cached copies
- (b) Find out the location or locations of other (shared) copies if any.
- (c) Communicate with those copies (invalidate/update).

EECC756 - Shaaban

Hierarchical Snoopy Cache Coherence

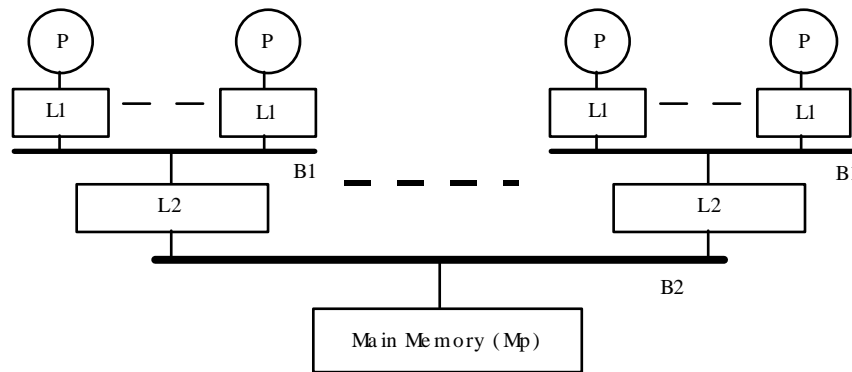
Simplest way: hierarchy of buses; snoop-based coherence at each level.

– or rings.

• Consider buses. Two possibilities:

(a) All main memory at the global (B2) bus. **UMA**

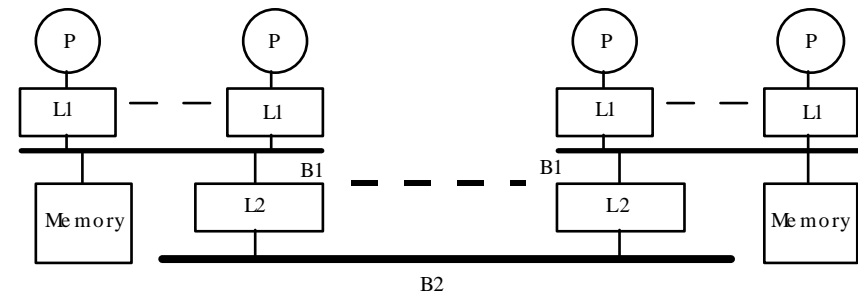
(b) Main memory distributed among the clusters of SMP nodes. **NUMA**



UMA

(a)

**Centralized Main Memory
(Does not scale well)**

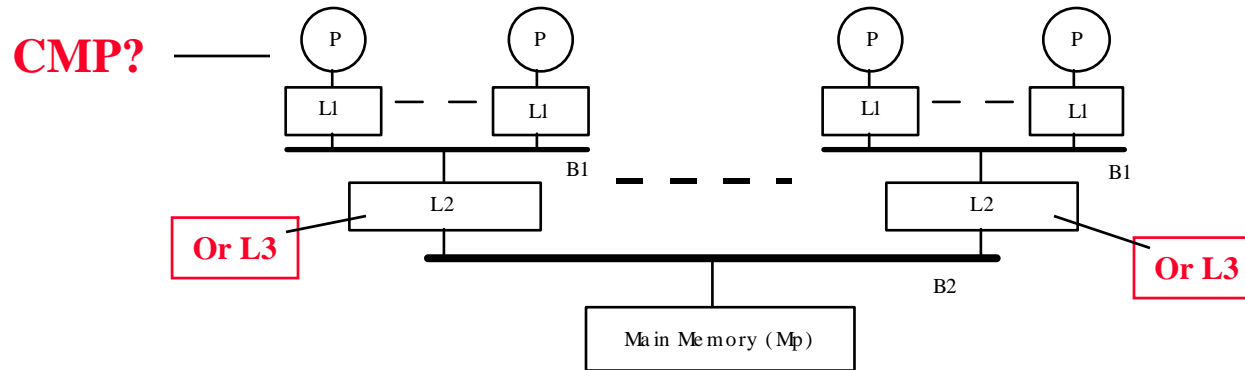


NUMA

(b)

Distributed Main Memory

Bus Hierarchies with Centralized Memory



B1 follows standard snoopy protocol.

Need a monitor per B1 bus:

- Decides what transactions to pass back and forth between buses.
- Acts as a filter to reduce bandwidth needs.

Use L2 (or L3) cache:

- Much larger than L1 caches (set associative). Must maintain inclusion.
- Has dirty-but-stale bit per line.
- L2 (or L3) cache can be DRAM based, since fewer references get to it.

Bus Hierarchies with Centralized Memory

Advantages and Disadvantages

- **Advantages:**

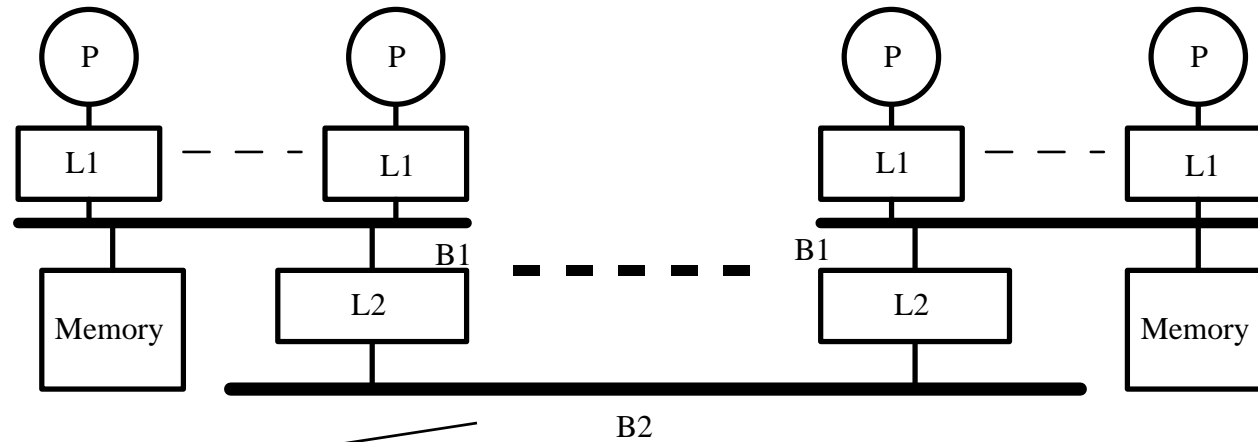
- Simple extension of bus-based scheme.
- Misses to main memory require single traversal to root of hierarchy.
- Placement of shared data is not an issue.
 - One centralized memory

- **Disadvantages:**

- Misses to local data also traverse hierarchy.
 - Higher traffic and latency.
- Memory at global bus must be highly interleaved for bandwidth.

Bus Hierarchies with Distributed Memory

CMP?



System bus or coherent point-to-point link (e.g. coherent HyperTransport)

- **Main memory distributed among clusters of SMP nodes.**
 - **Cluster is a full-fledged bus-based machine, memory and all.**
 - **Automatic scaling of memory (each cluster brings some with it).**
 - **Good placement can reduce global bus traffic and latency.**
 - **But latency to far-away memory is larger. (NUMA)**

As expected in NUMA systems

EECC756 - Shaaban

Scalable Approach #2: Directories

- A directory is composed of a number of directory entries.
- Every memory block has an associated directory entry:

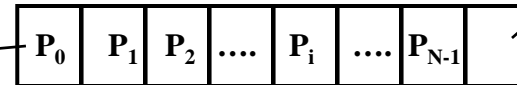
Directory Functionality

- Keeps track of the nodes or processors that have cached copies of the memory block and their states.
- On a miss (0) invoke coherence protocol, (a) find directory entry, (b) look it up, and (c) communicate only with the nodes that have copies if necessary.

A possible Directory Entry (Memory-based Full-map or Full Bit Vector Type):

One entry per memory block

Presence Bits
 $P_i = 1$ if processor i has a copy



One presence bit per processor

Dirty

Dirty Bit

If Dirty = 1
then only one $P_i = 1$
(P_i is owner of block)

- In scalable networks, communication with directory and nodes that have copies is through *network transactions*.
- A number of alternatives exist for organizing directory information.

Next →

EECC756 - Shaaban

Organizing Directories

Directory Schemes

Used in UMA SAS

Used in scalable
NUMA SAS

Centralized

Distributed

Both memory and directory are centralized.
Does not scale well.

(a)

How to find source of
directory information

Flat

Hierarchical

(b)

How to locate copies

Both memory and directories are distributed.
Directory entry co-located with memory
block itself at its home node

Memory-based

Cache-based
(chained directories)

Full-Map
(Full Bit Vector)

Limited
Directory

e.g. SGI Origin, Stanford DASH

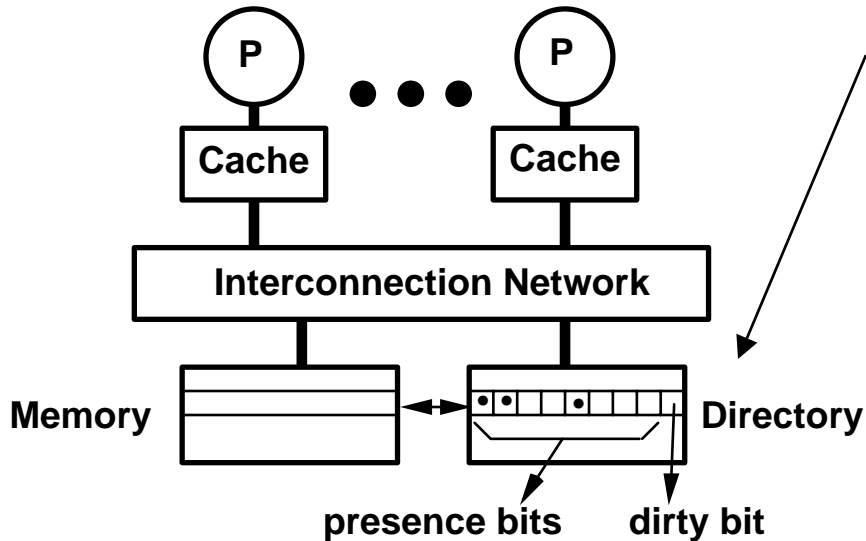
Singly Linked
chain

Doubly Linked
chain /

e.g. IEEE Scalable Coherent
Interface (SCI), Sequent NUMA-Q

EECC756 - Shaaban

Basic Operation of Centralized Directory



- Both memory and directory are centralized. Does not scale well.
- P processors.
- Assuming write-back, write invalidate.
- With each cache-block in memory: P presence-bits $p[i]$, 1 dirty-bit.
- With each cache-block in cache: 1 valid bit, and 1 dirty (owner) bit.
- Dirty bit on --> only one $p[i]$ on

• Read from main memory (read miss) by processor i:

- If dirty-bit OFF then { read from main memory; turn $p[i]$ ON; }
- if dirty-bit ON then { recall line from dirty proc j (cache state to shared); update memory; turn dirty-bit OFF; turn $p[i]$ ON; supply recalled data to i; }

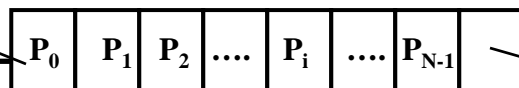
No longer block owner

Forced write back

• Write miss to main memory by processor i:

- If dirty-bit OFF then { supply data to i; send invalidations to all caches that have the block; turn dirty-bit ON; turn $p[i]$ ON; ... }
- if dirty-bit ON then { recall line from dirty proc (with $p[j]$ on); update memory; block state on proc j invalid ; turn $p[i]$ ON; supply recalled data to i; }

Presence Bits
(one per processor)



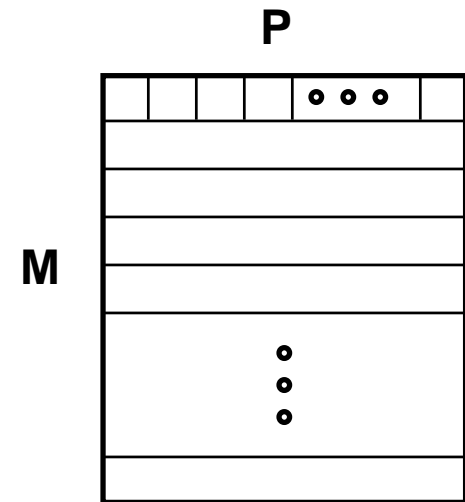
Directory Entry Per Memory Block

Dirty Bit

EECC756 - Shaaban

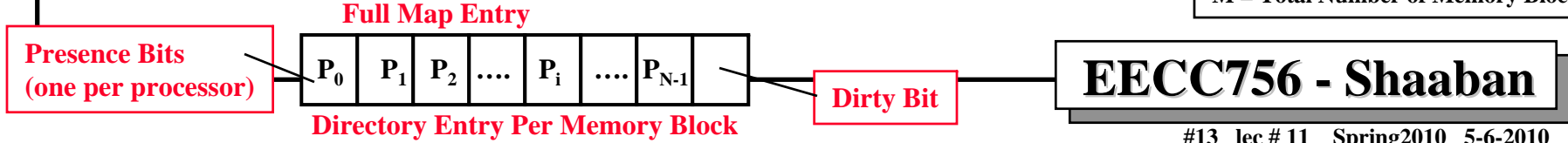
Distributed, Flat, Memory-based Schemes

- All info about copies of a memory blocks co-located with block itself at home node (directory node of block).
 - Works just like centralized scheme, except distributed.
- Scaling of performance characteristics:
 - Traffic on a write: proportional to number of sharers.
 - Latency on a write: Can issue invalidations to sharers in parallel.
- Scaling of storage overhead:
 - Simplest representation: Full-Map (full bit vector), i.e. one presence bit per node: P presence bits, 1 dirty bit per block directory entry.
 - Storage overhead doesn't scale well with P ; a 64-byte cache line implies:
 - 64 nodes: $65/(64 \times 8) = 12.7\%$ overhead.
 - 256 nodes: 50% overhead.; 1024 nodes: 200% overhead.
 - For M memory blocks in memory, storage overhead is proportional to $P * M$
- Examples: SGI Origin, Stanford DASH.

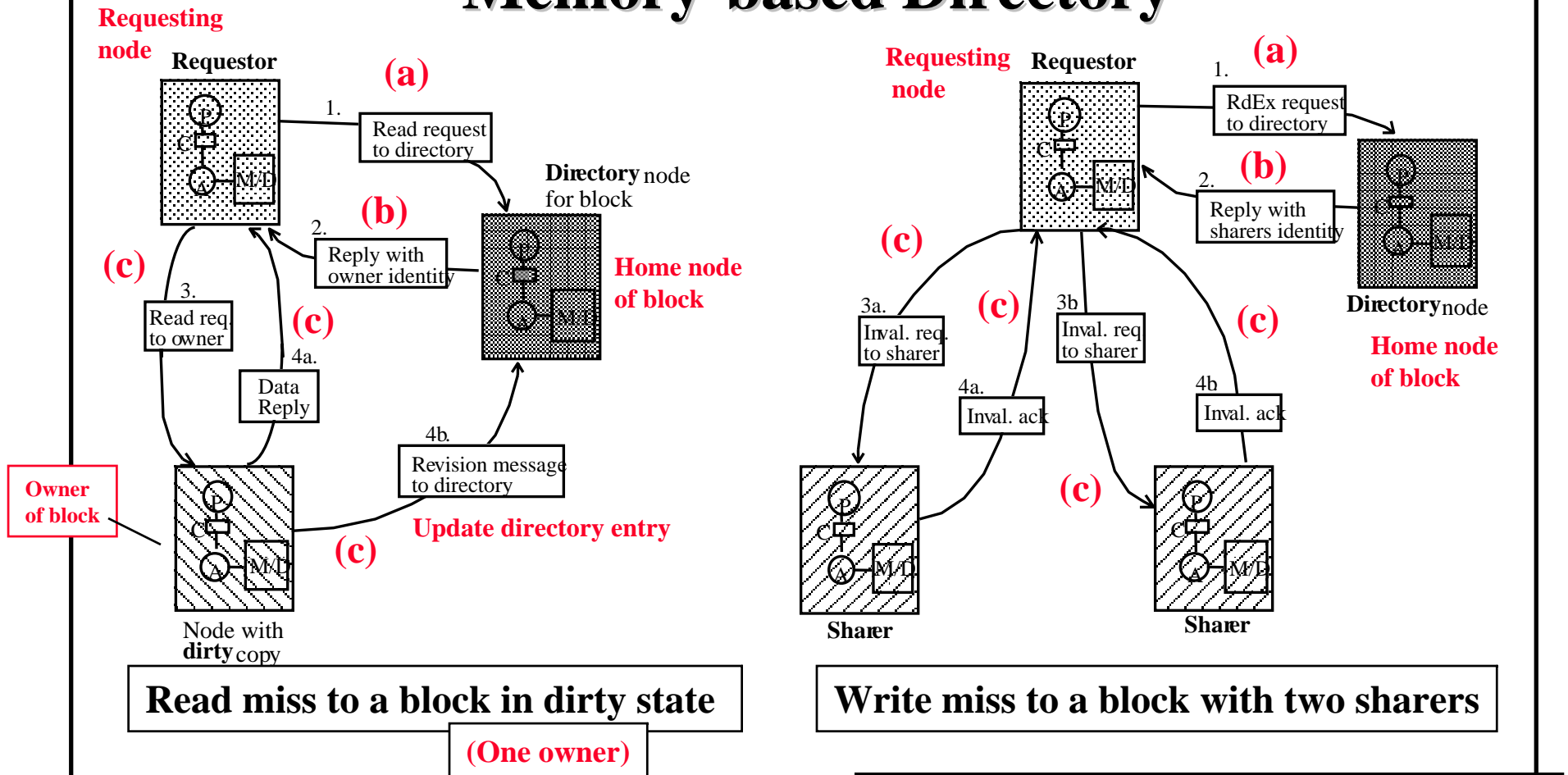


$P = N =$ Number of Processors

$M =$ Total Number of Memory Blocks



Basic Operation of Distributed, Flat, Memory-based Directory



- (a) Find source of info (home node directory)
- (b) Get directory info (entry) from home node (e.g. owner, sharers)
- (c) Protocol actions: Communicate with other nodes as needed

EECC756 - Shaaban

Reducing Storage Overhead of Distributed Memory-based Directories

- **Optimizations for full bit vector schemes:** (Full Map)
 - Increase cache block size (reduces storage overhead proportionally)
 - Use multiprocessor (SMP) nodes (one presence bit per multiprocessor node, not per processor)
 - still scales as $P \cdot M$, but not a problem for all but very large machines
 - 256-processors, 4 per node, 128 Byte block : 6.25% overhead.
- **Limited Directories:** Addressing entry width P
 - **Observation:** most blocks cached by only few nodes.
 - Don't have a bit per node, but directory entry contains a few pointers to sharing nodes (each pointer has $\log_2 P$ bits, e.g. $P=1024 \Rightarrow 10$ bit pointers).
 - Sharing patterns indicate a few pointers should suffice (five or so)
 - Need an overflow strategy when there are more sharers.
 - Storage requirements: $O(M \log_2 P)$.
- **Reducing “height”:** addressing the M term
 - **Observation:** number of memory blocks \gg number of cache blocks
 - Most directory entries are useless at any given time
 - Organize directory as a cache, rather than having one entry per memory block.

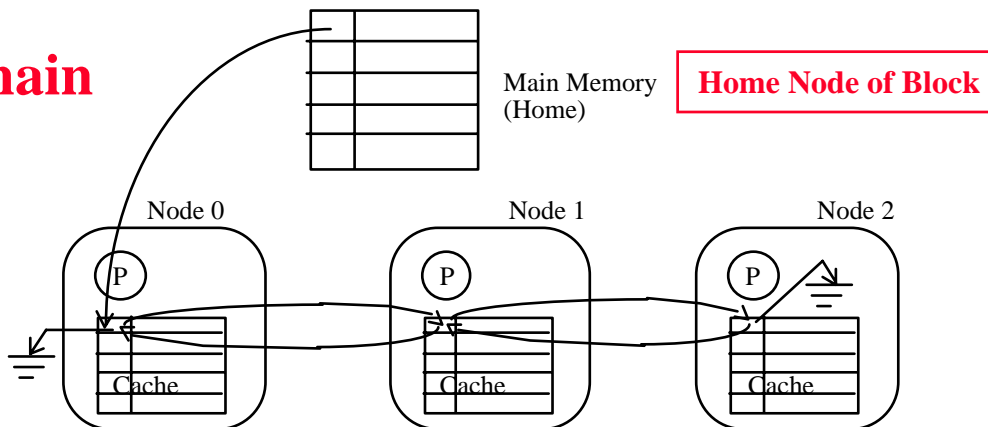
Distributed, Flat, Cache-based Schemes

- How they work:

- Memory block at home node only holds pointer to rest of directory info (start of chain or linked list of sharers).
- Distributed linked list of copies, weaves through caches:
 - Cache tag has pointer, points to next cache with a copy (sharer).
- On read, add yourself to head of the list.
- On write, propagate chain of invalidations down the list.

Doubly-linked List/Chain

Singly-linked chain
also possible but slower



- Utilized in Scalable Coherent Interface (SCI) IEEE Standard:
 - Uses a doubly-linked list.

EECC756 - Shaaban

Scaling Properties of Cache-based Schemes

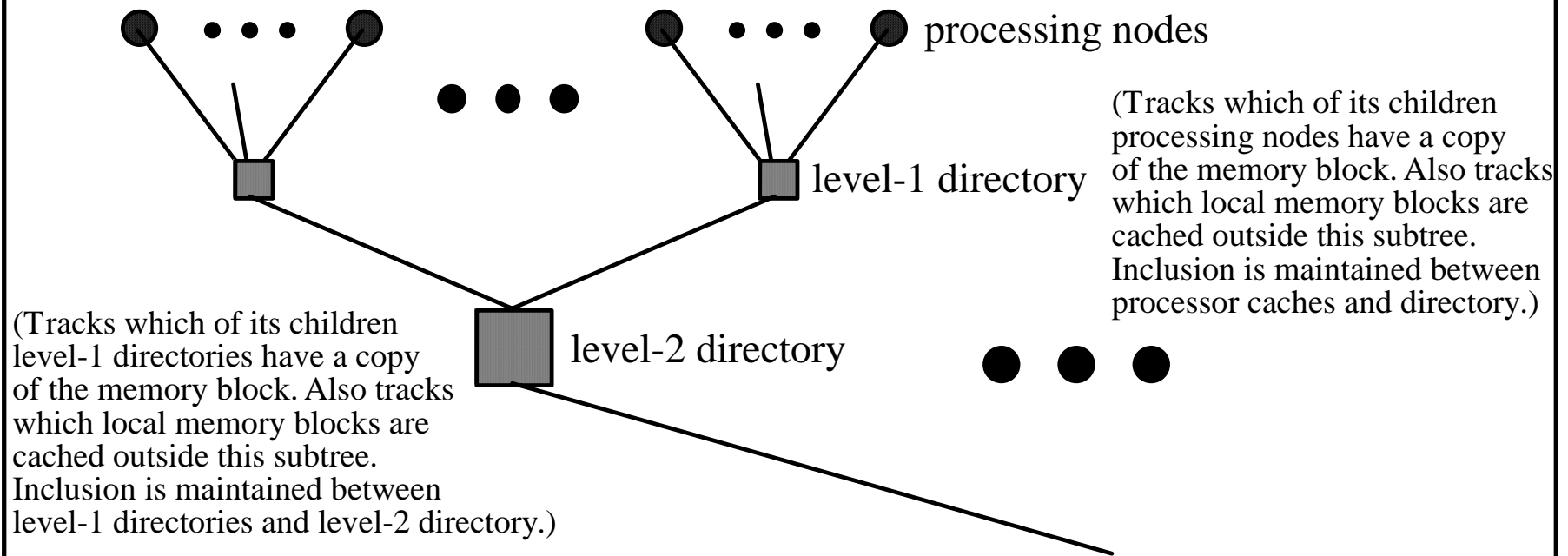
- **Traffic on write:** proportional to number of sharers.
- **Latency on write:** proportional to number of sharers.
 - Don't know identity of next sharer until reach current one
 - also assist processing at each node along the way.
 - (even reads involve more than one other communication assist: home and first sharer on list)
- **Storage overhead:** quite good scaling along both axes
 - Only one head pointer per memory block
 - rest of storage overhead is proportional to cache size.
- **Other properties:**
 - **Good:** mature, IEEE Standard (SCI), fairness.
 - **Bad:** complex.

Not total number of memory blocks, M

Distributed Hierarchical Directories

- Directory is a hierarchical data structure:
 - Leaves are processing nodes, internal nodes just directories.
 - Logical hierarchy, not necessarily physical (can be embedded in general network).
- Potential bandwidth bottleneck at root.

Operation:



(a)

How to Find Directory Information

- Centralized memory and directory: - Easy: go to it
 - But not scalable.
- Distributed memory and directory:
 - Flat schemes:
 - Directory distributed with memory: at the cache block home node.
 - Location based on address: network transaction sent directly to home.
 - Hierarchical schemes:
 - Directory organized as a hierarchical data structure.
 - Leaves are processing nodes, internal nodes have only directory state.
 - Node's directory entry for a block says whether each subtree caches the block
 - To find directory info, send "search" message up to parent
 - Routes itself through directory lookups.
 - Similar to hierarchical snooping, but point-to-point messages are sent between children and parents.

- (a) Find source of info (e.g. home node directory)
- (b) Get directory information (e.g owner, sharers)
- (c) Protocol actions: Communicate with other nodes as needed

EECC756 - Shaaban

(b) How Is Location of Copies Stored?

- **Hierarchical Schemes:**
 - Through the hierarchy.
 - Each directory has presence bits for its children (subtrees), and dirty bit.
- **Flat Schemes:**
 - Varies a lot (memory-based vs. Cache-based).
 - Different storage overheads and performance characteristics.
 - **Memory-based schemes:**
 - Info about copies stored at the home node with the memory block.
 - Examples: Dash, Alewife , SGI Origin, Flash.
 - **Cache-based schemes:**
 - Info about copies distributed among copies themselves.
 - Via linked list: Each copy points to next.
 - Example: Scalable Coherent Interface (SCI, an IEEE standard).

- (a) Find source of info (e.g. home node directory)
- (b) Get directory information (e.g owner, sharers)
- (c) Protocol actions: Communicate with other nodes as needed

Summary of Directory Organizations

Flat Schemes:

- Issue (a): finding source of directory data:
 - Go to home node, based on address.
- Issue (b): finding out where the copies are.
 - Memory-based: all info is in directory at home node .
 - Cache-based: home has pointer to first element of distributed linked list.
- Issue (c): communicating with those copies.
 - Memory-based: point-to-point messages.
 - Can be multicast or overlapped.
 - Cache-based: part of point-to-point linked list traversal to find them.
 - Serialized.

Hierarchical Schemes:

- All three issues through sending messages up and down tree.
- No single explicit list of sharers.
- Only direct communication is between parents and children.

Summary of Directory Approaches

- **Directories offer scalable coherence on general networks.**
 - No need for broadcast media.
- Many possibilities for organizing directories and managing protocols.
- **Hierarchical directories not used much.**
 - High latency, many network transactions, and bandwidth bottleneck at root.
- **Both memory-based and cache-based distributed flat schemes are alive:**
 - For memory-based, full bit vector suffices for moderate scale.
 - Measured in nodes visible to directory protocol, not processors.

Approach #3: A Popular Middle Ground Two-level “Hierarchy”

e.g. Snooping + Directory

- Individual nodes are multiprocessors, connected non-hierarchically.

- e.g. mesh of SMPs.

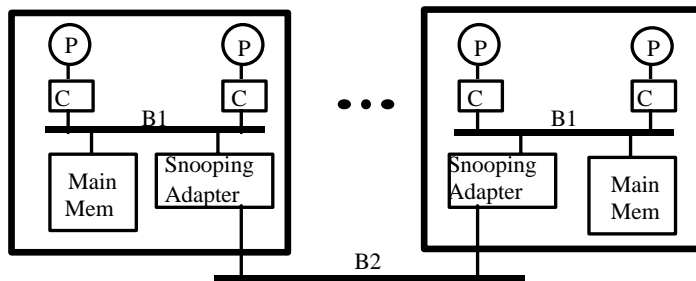
Example

- Coherence across nodes is directory-based.
 - Directory keeps track of nodes, not individual processors.
- Coherence within nodes is snooping or directory.
 - Orthogonal, but needs a good interface of functionality.
- Examples:
 - Convex Exemplar: directory-directory.
 - Sequent, Data General, HAL: directory-snoopy.

SMP= Symmetric Multiprocessor Node

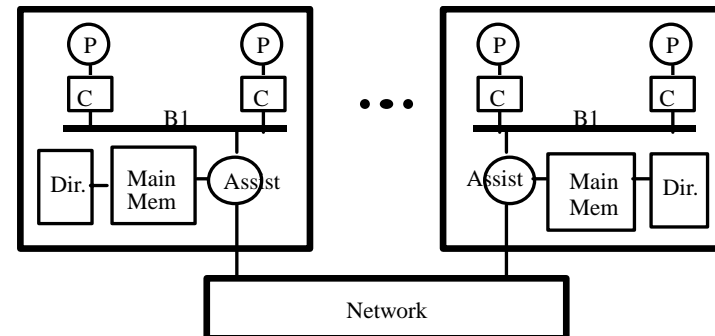
EECC756 - Shaaban

Example Two-level Hierarchies

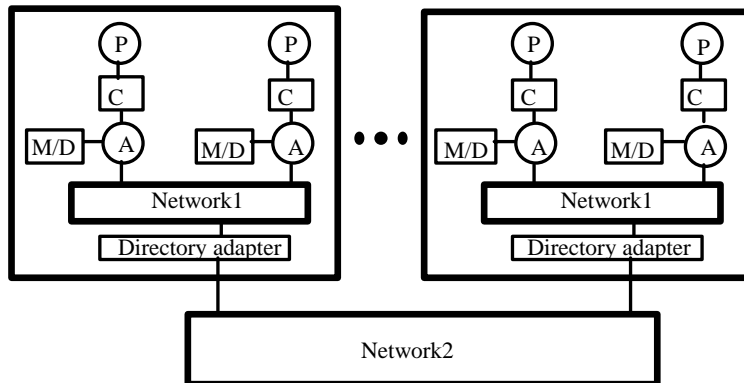


i.e 2-level Hierarchical Snooping

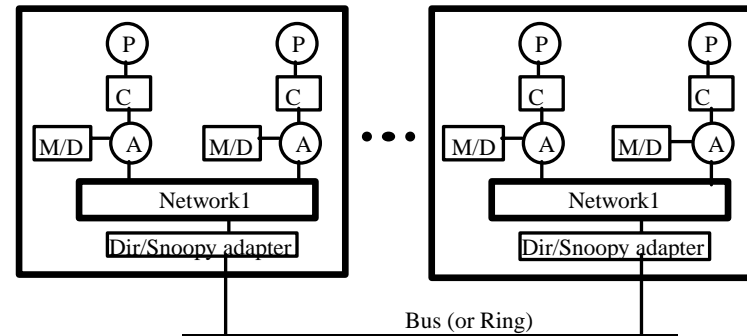
(a) Snooping-snooping



(b) Snooping-directory



(c) Directory-directory



(d) Directory-snooping

Advantages of Multiprocessor Nodes

- **Potential for cost and performance advantages:**
 - Amortization of node fixed costs over multiple processors
 - Applies even if processors simply packaged together but not coherent.
 - Can use commodity SMPs.
 - Less nodes for directory to keep track of. With good mapping/data allocation
 - Much communication may be contained within node (cheaper). Than going the network
 - Nodes can prefetch data for each other (fewer “remote” misses).
 - Combining of requests (like hierarchical, only two-level).
 - Can even share caches (overlapping of working sets).
 - Benefits depend on sharing pattern (and mapping):
 - Good for widely read-shared: e.g. tree data in Barnes-Hut
 - Good for nearest-neighbor, if properly mapped
 - Not so good for all-to-all communication.

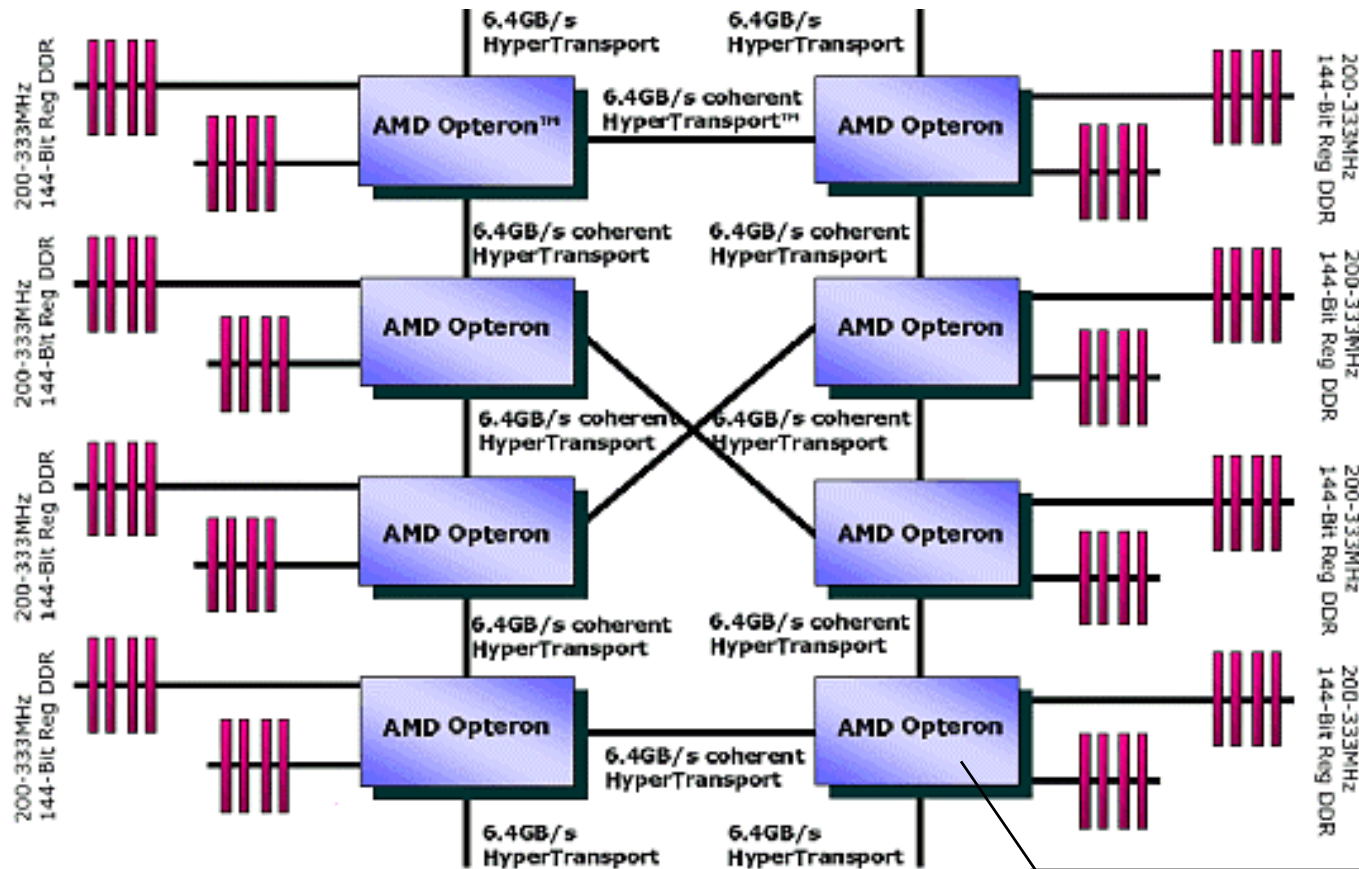
SMP= Symmetric Multiprocessor Node

EECC756 - Shaaban

Disadvantages of Coherent MP Nodes

- Memory Bandwidth shared among processors in a node:
 - Fix: Each processor has own memory (NUMA)
- Bus increases latency to local memory.
 - Fix: Use point-to-point interconnects
(e.g HyperTransport). Or crossbar-based SGI Origin 2000
- With local node coherence in place, a CPU typically must wait for local snoop results before sending remote requests.
- Bus snooping at remote nodes also increases delays there too, increasing latency and reducing bandwidth.
- Overall, may hurt performance if sharing patterns don't comply with system architecture.

Non-Uniform Memory Access (NUMA) Example: AMD 8-way Opteron Server Node



Dedicated point-to-point interconnects (Coherent HyperTransport links) used to connect processors alleviating the traditional limitations of FSB-based SMP systems (yet still providing the cache coherency support needed)
 Each processor has two integrated DDR memory channel controllers:
 memory bandwidth scales up with number of processors.
 NUMA architecture since a processor can access its own memory at a lower latency than access to remote memory directly connected to other processors in the system.

Total 16 processor cores when dual core Opteron processors used

Repeated here from lecture 1

EECC756 - Shaaban